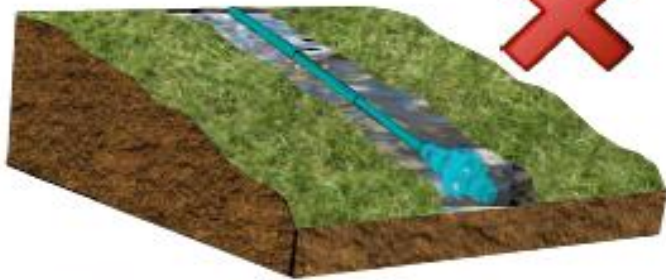


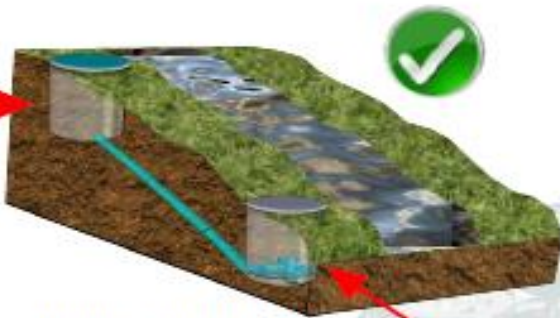
# Papa Pump<sup>®</sup>



Pump and pipework in stream



Pipework not laid straight



Pump and pipework buried and secured

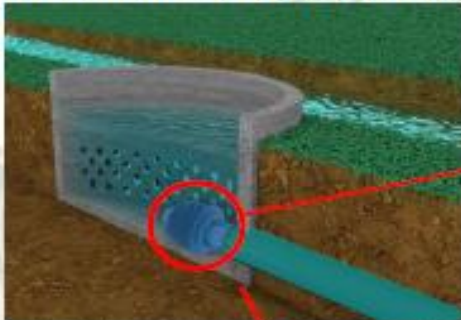


Support steel pipework when not buried

Pipe

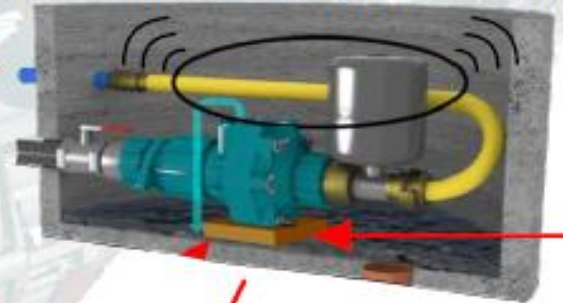
Concrete

Seradsic filters recommended



Seradsic filter

Support bottom of pump to prevent shaking



Supply Head

Delivery Head

SUPPLY PIPE LENGTH = 3 - 10X SUPPLY HEAD

Lower 1/3 of supply pipe Length is galvanised steel for delivery heads in excess of 15M

